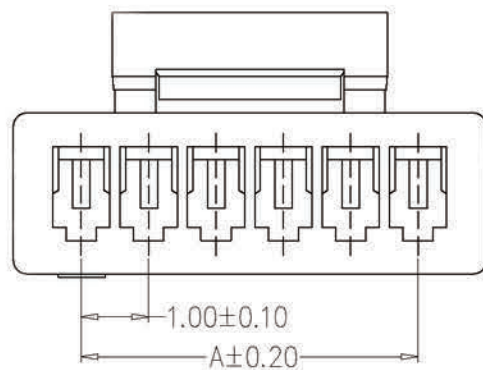
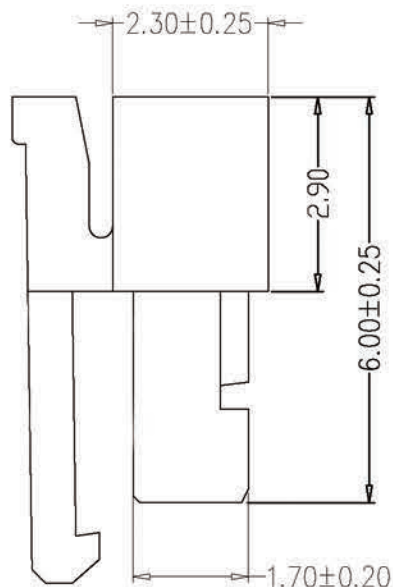
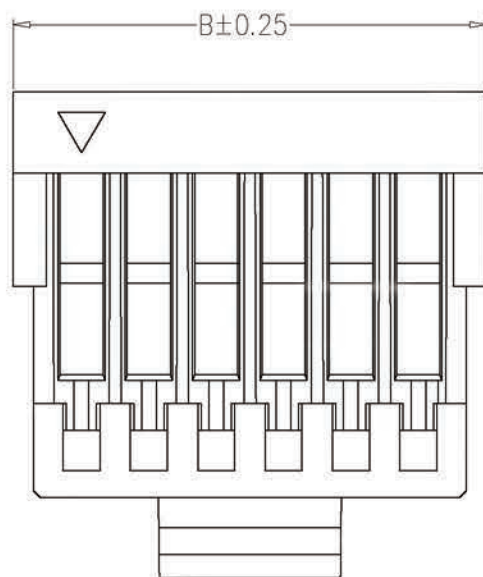


**SPECIFICATIONS**

- 1、Current Rating: 1A AC, DC
- 2、Voltage Rating: 125V AC, DC
- 3、Temperatuer Range: -25°C~+85°C
- 4、Contact Resistance: 20mΩ Max
- 5、Insulation Resistance: 100MΩ Min
- 6、Withstanding Voltang: 500V AC/minute
- 7、Material: PA66 UL94V-0

编 号	尺寸 (mm)	
	A	B
A1007H-2P	1.00	3.00
A1007H-3P	2.00	4.00
A1007H-4P	3.00	5.00
A1007H-5P	4.00	6.00
A1007H-6P	5.00	7.00
A1007H-7P	6.00	8.00
A1007H-8P	7.00	9.00
A1007H-9P	8.00	10.00
A1007H-10P	9.00	11.00
A1007H-11P	10.00	12.00
A1007H-12P	11.00	13.00

制图 DRAWN	变更内容 DESCRIPTION	日期 DATE	GENERAL TOLERANCE		制图 Mapping	料号 PART NO.	A1007H-XXP		版本 REV.	A			
			X.±0.25	X'±2'			品名 TITLE	页次 SHEET					
			.X±0.20	.X'±1'							客户料号 CUTM. NO.		
			.XX±0.15	.XX'±0.5'									深圳市德益连接器有限公司 SHENZHEN DEYI CONNECTORS CO., LTD.
			.XXX±0.10	.XXX'±0.5'									
单位 Units	MM	比例 SCALE	1:1										

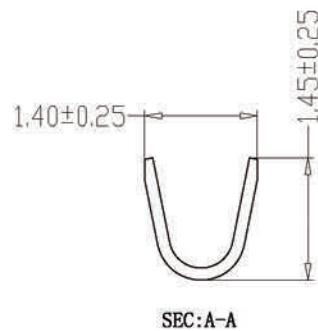
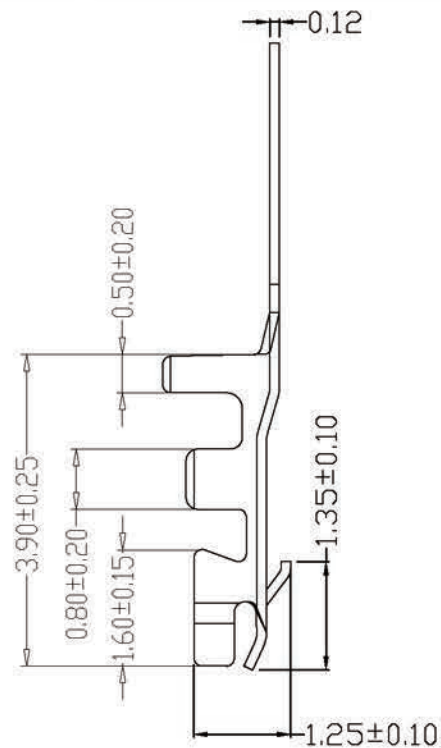
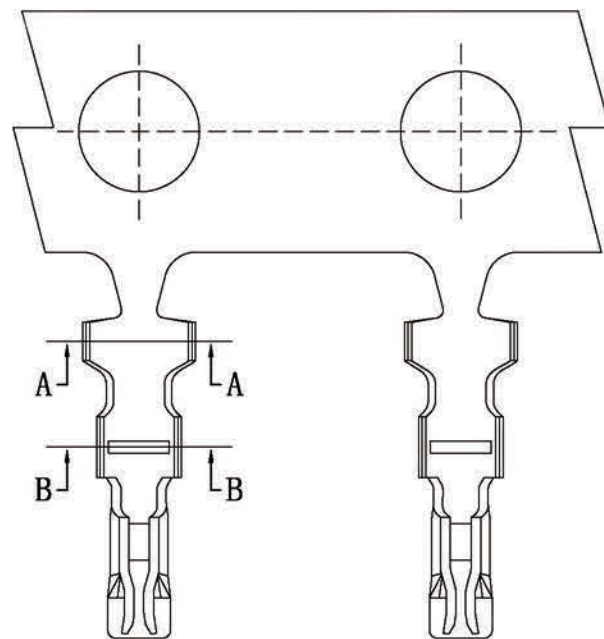


**SPECIFICATIONS**

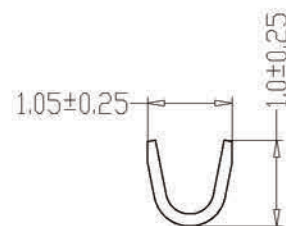
- 1、Current Rating: 1A AC, DC
- 2、Voltage Rating: 125V AC, DC
- 3、Temperatuer Range: -25°C~+85°C
- 4、Contact Resistance: 20mΩ Max
- 5、Insulation Resistance: 100MΩ Min
- 6、Withstanding Voltang: 500V AC/minute
- 7、Material: PA66 UL94V-0

编 号	尺寸 (mm)	
	A	B
A1007HA-2P	1.00	3.00
A1007HA-3P	2.00	4.00
A1007HA-4P	3.00	5.00
A1007HA-5P	4.00	6.00
A1007HA-6P	5.00	7.00
A1007HA-7P	6.00	8.00
A1007HA-8P	7.00	9.00
A1007HA-9P	8.00	10.00
A1007HA-10P	9.00	11.00
A1007HA-11P	10.00	12.00
A1007HA-12P	11.00	13.00

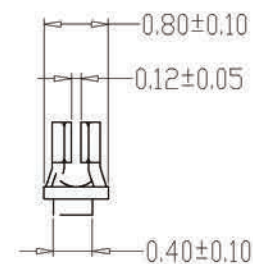
制图 DRAWN	变更内容 DESCRIPTION	日期 DATE	GENERAL TOLERANCE		制图 Mapping	料号 PART NO.	A1007HA-XXP	版本 REV.	A
			X.±0.25	X.'±2'					
.X±0.20	.X'±1'	核准 Approved	客户料号 CUTM. NO.						
.XX±0.15	.XX'±0.5'			单位 Units	MM	比例 SCALE	1:1	<b>深圳市德益连接器有限公司</b> <b>SHENZHEN DEYI CONNECTORS CO., LTD.</b>	
.XXX±0.10	.XXX'±0.5'								



SEC:A-A



SEC:B-B

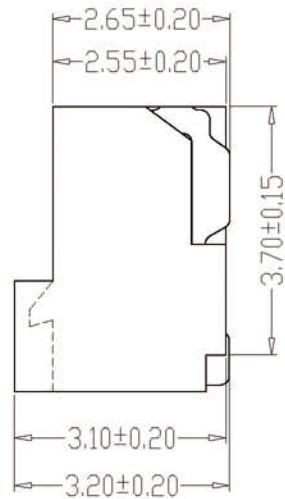
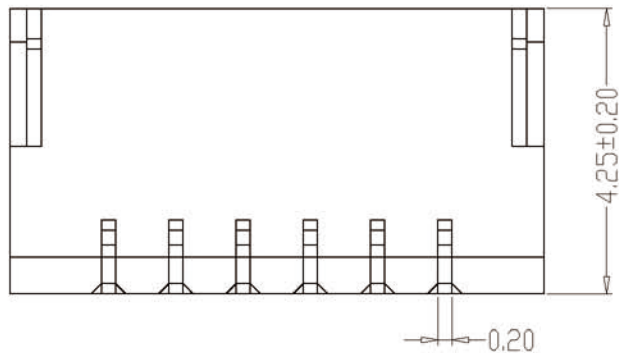


**SPECIFICATIONS**

- 1、Current Rating: 1A AC, DC
- 2、Voltage Rating: 50V AC, DC
- 3、Temperatuer Range: -25°C~+85°C
- 4、Contact Resistance: 20mΩ Max
- 5、Insulation Resistance: 100MΩ Min
- 6、Withstanding Voltang: 500V AC/minute
- 7、Material:Phosphoric copper Tin-plated
- 8、Applicable Wire Sizes:AWG#28~32#

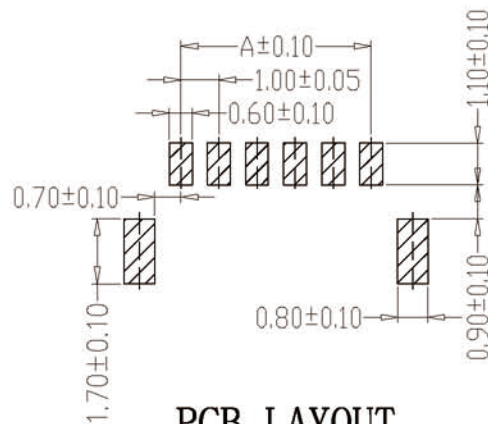
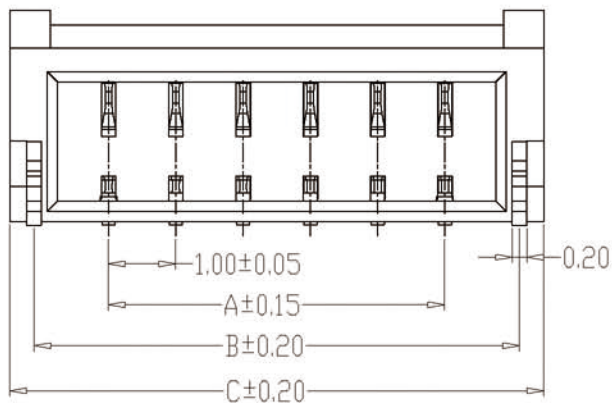
制图 DRAWN	变更内容 DESCRIPTION	日期 DATE	GENERAL TOLERANCE		制图 Mapping	审核 Audit	核准 Approved	料号 PART NO.	A1007-TP	版本 REV.	A
			X.±0.25	X.'±2'							
			.X±0.20	.X'±1'				品名 TITLE		页次 SHEET	1/1
			.XX±0.15	.XX'±0.5'				客户料号 CUTM. NO.			
			.XXX±0.10	.XXX'±0.5'	单位 Units	MM	比例 SCALE	1:1			

深圳市德益连接器有限公司  
SHENZHEN DEYI CONNECTORS CO., LTD.



**SPECIFICATIONS**

- 1、Current Rating: 1A AC, DC
- 2、Voltage Rating: 125V AC, DC
- 3、Temperatuer Range: -25°C~+85°C
- 4、Contact Resistance: 20mΩ Max
- 5、Insulation Resistance: 100MΩ Min
- 6、Withstanding Voltang: 500V AC/minute
- 7、Material: Wafer PA6T, UL94V-0  
PIN Phosphoric copper Tin-plated  
Solder tad Phosphoric copper Tin-plated

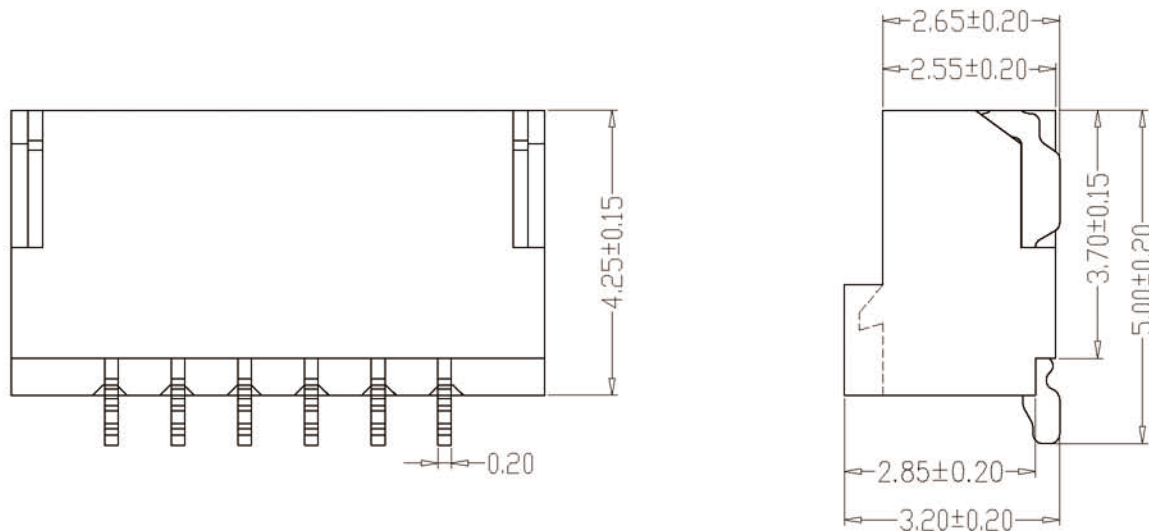


**PCB LAYOUT**

编 号	尺寸 (mm)		
	A	B	C
A1007AWR-S-2P	1.00	3.20	4.00
A1007AWR-S-3P	2.00	4.20	5.00
A1007AWR-S-4P	3.00	5.20	6.00
A1007AWR-S-5P	4.00	6.20	7.00
A1007AWR-S-6P	5.00	7.20	8.00
A1007AWR-S-7P	6.00	8.20	9.00
A1007AWR-S-8P	7.00	9.20	10.00
A1007AWR-S-9P	8.00	10.20	11.00
A1007AWR-S-10P	9.00	11.20	12.00
A1007AWR-S-11P	10.00	12.20	13.00
A1007AWR-S-12P	11.00	13.20	14.00
A1007AWR-S-20P	19.00	21.20	22.00

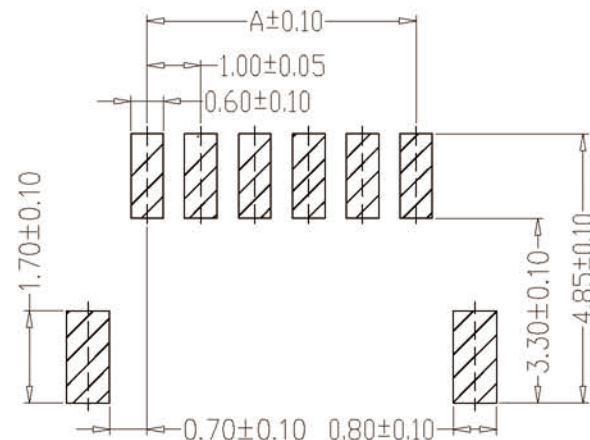
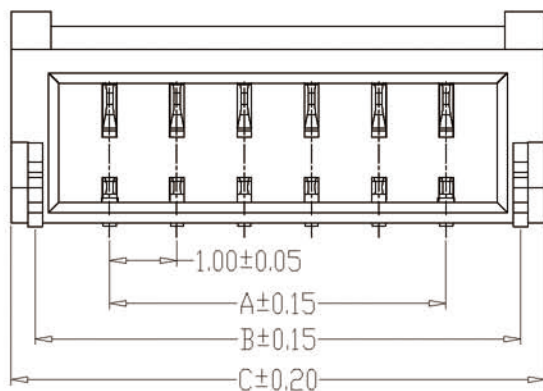
制图 DRAWN	变更内容 DESCRIPTION	日期 DATE	GENERAL TOLERANCE		制图 DRAWING	料号 PART NO.	版本 REV.	A		
			X.±0.25	X.*±2°	审核 CHECK	A1007AWR-S-XXP	品名 TITLE	页次 SHEET	1/1	
			.X±0.20	.X*±1°	核准 APPROVAL		客户料号 CUTM. NO.			
			.XX±0.15	.XX*±0.5°	单位 UNITS	MM	比例 SCALE			1:1
			.XXX±0.10	.XXX*±0.5°						

深圳市德益连接器有限公司  
SHENZHEN DEYI CONNECTORS CO., LTD.



**SPECIFICATIONS**

- 1、Current Rating: 1A AC, DC
- 2、Voltage Rating: 125V AC, DC
- 3、Temperatuer Range: -25°C~+85°C
- 4、Contact Resistance: 20mΩ Max
- 5、Insulation Resistance: 100MΩ Min
- 6、Withstanding Voltang: 500V AC/minute
- 7、Material: Wafer PA6T, UL94V-0  
PIN Phosphoric copper Tin-plated  
Solder tad Phosphoric copper Tin-plated



**PCB LAYOUT**

编号	尺寸 (mm)		
	A	B	C
A1007AWR-S-2P-H	1.00	3.20	4.00
A1007AWR-S-3P-H	2.00	4.20	5.00
A1007AWR-S-4P-H	3.00	5.20	6.00
A1007AWR-S-5P-H	4.00	6.20	7.00
A1007AWR-S-6P-H	5.00	7.20	8.00
A1007AWR-S-7P-H	6.00	8.20	9.00
A1007AWR-S-8P-H	7.00	9.20	10.00
A1007AWR-S-9P-H	8.00	10.20	11.00
A1007AWR-S-10P-H	9.00	11.20	12.00
A1007AWR-S-11P-H	10.00	12.20	13.00
A1007AWR-S-12P-H	11.00	13.20	14.00
A1007AWR-S-20P-H	19.00	21.20	22.00

制图 DRAWN	变更内容 DESCRIPTION	日期 DATE	GENERAL TOLERANCE		制图 DRAWING	料号 PART NO.	版本 REV.	A		
			X.±0.25	X.*±2'	审核 CHECK	A1007AWR-S-NNP-H	品名 TITLE	WAFFER SMT TYPE	页次 SHEET	1/1
			.X±0.20	.X*±1'	核准 APPROVAL		客户料号 CUTM. NO.			
			.XX±0.15	.XX*±0.5'	单位 UNITS	MM	比例 SCALE	1:1		
			.XXX±0.10	.XXX*±0.5'	<b>深圳市德益连接器有限公司</b> <b>SHENZHEN DEYI CONNECTORS CO., LTD.</b>					