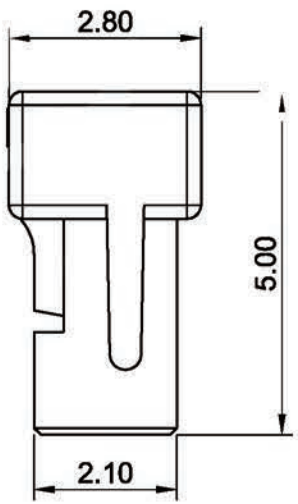
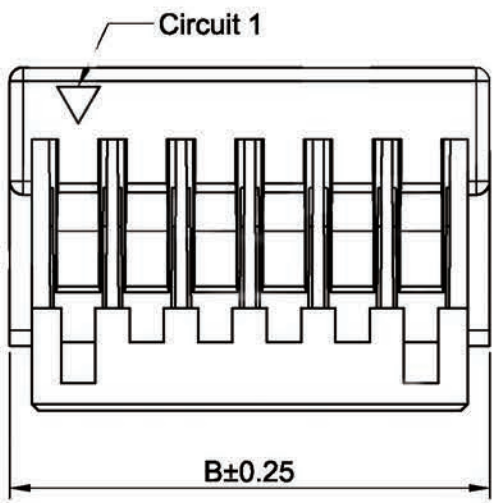
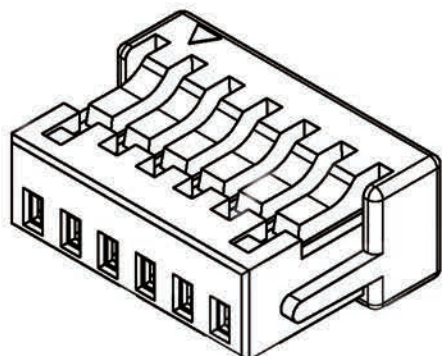
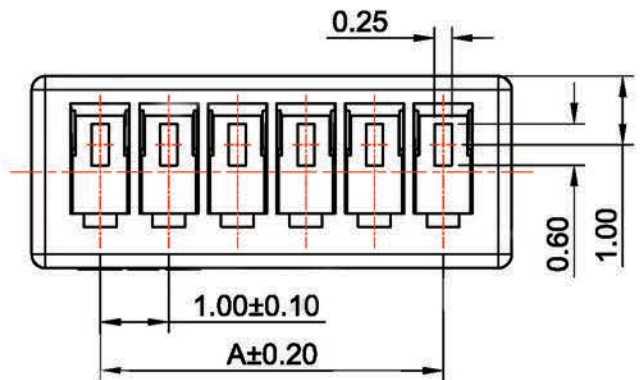


SPECIFICATIONS

- 1、Current Rating: 1A AC, DC
- 2、Voltage Rating: 50V AC, DC
- 3、Temperatuer Range: -25℃~+85℃
- 4、Contact Resistance: 20mΩ Max
- 5、Insulation Resistance: 100MΩ Min
- 6、Withstanding Voltang: 500V AC/minute
- 7、Material:PBT,UL94V-0

编 号	尺寸 (mm)	
	A	B
A1002H-2P	1.00	5.00
A1002H-3P	2.00	6.00
A1002H-4P	3.00	7.00
A1002H-5P	4.00	8.00
A1002H-6P	5.00	9.00
A1002H-7P	6.00	10.00
A1002H-8P	7.00	11.00
A1002H-9P	8.00	12.00
A1002H-10P	9.00	13.00
A1002H-11P	10.00	14.00
A1002H-12P	11.00	15.00
A1002H-20P	19.00	23.00

制图 DRAWN	变更内容 DESCRIPTION	日期 DATE	GENERAL TOLERANCE		制图 Mapping	料号 PART NO.	A1002H-XXP		版本 REV.	A								
			X.±0.25	X.*±2*			审核 Audit	品名 TITLE			页次 SHEET	1/1						
			.X±0.20	.X*±1*									核准 Approved	客户料号 CUTM. NO.				
			.XX±0.15	.XX*±0.5*											单位 Units	MM	比例 SCALE	1:1
			.XXX±0.10	.XXX*±0.5*														



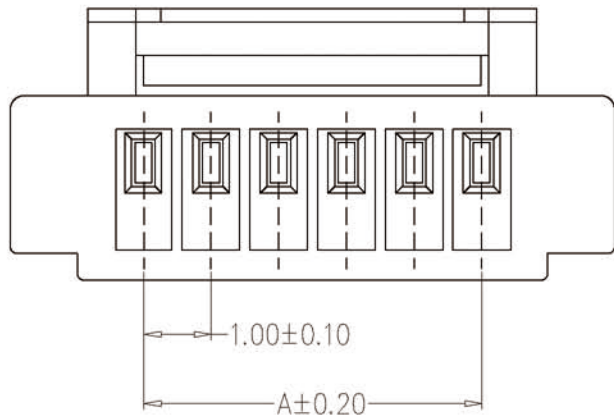
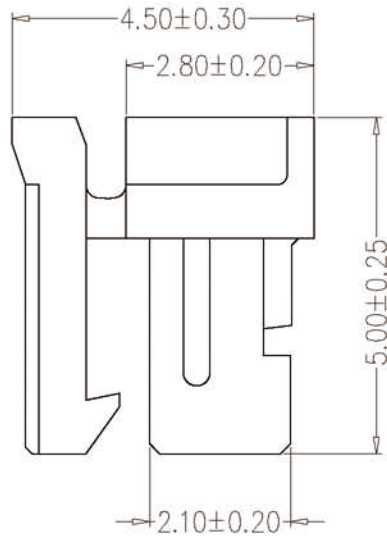
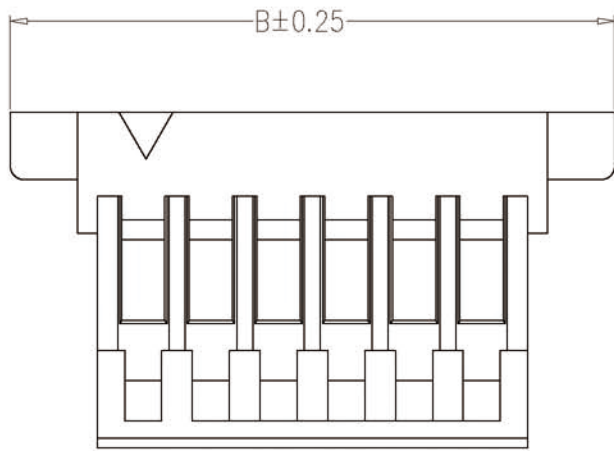
SPECIFICATIONS

- 1、 Current Rating: 1A AC, DC
- 2、 Voltage Rating: 50V AC, DC
- 3、 Temperatuer Range: -25℃~+85℃
- 4、 Contact Resistance: 20mΩ Max
- 5、 Insulation Resistance: 100MΩ Min
- 6、 Withstanding Voltang: 500V AC/minute
- 7、 Material:PBT, UL94V-0

编 号	尺寸 (mm)	
	A	B
A1002HB-02P	1.00	3.00
A1002HB-03P	2.00	4.00
A1002HB-04P	3.00	5.00
A1002HB-05P	4.00	6.00
A1002HB-06P	5.00	7.00
A1002HB-07P	6.00	8.00
A1002HB-08P	7.00	9.00
A1002HB-09P	8.00	10.00
A1002HB-10P	9.00	11.00

制图 DRAWN	变更内容 DESCRIPTION	日期 DATE	GENERAL TOLERANCE		制图 Mapping	料号 PART NO.	A1002HB-XXXP		版本 REV.	A		
			X.±0.25	X.*±2*			品名 TITLE	页次 SHEET				
			.X±0.20	.X*±1*							客户料号 CUTM. NO.	1/1
			.XX±0.15	.XX*±0.5*								
.XXX±0.10	.XXX*±0.5*	单位 Units	MM	比例 SCALE	1:1							

深圳市德益连接器有限公司
SHENZHEN DEYI CONNECTORS CO., LTD.



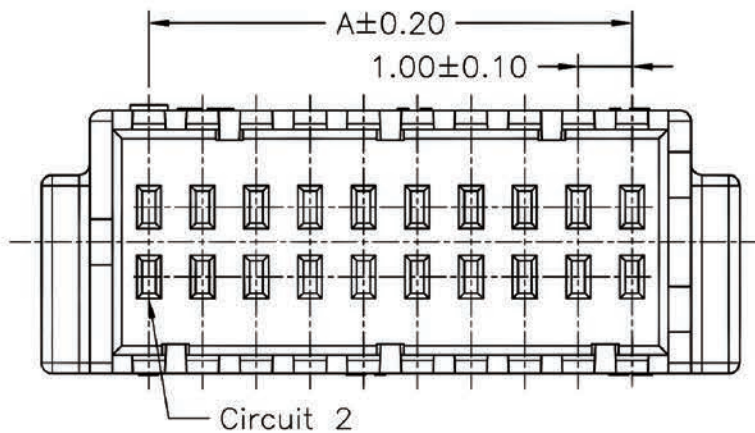
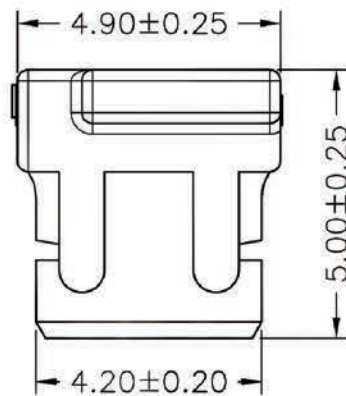
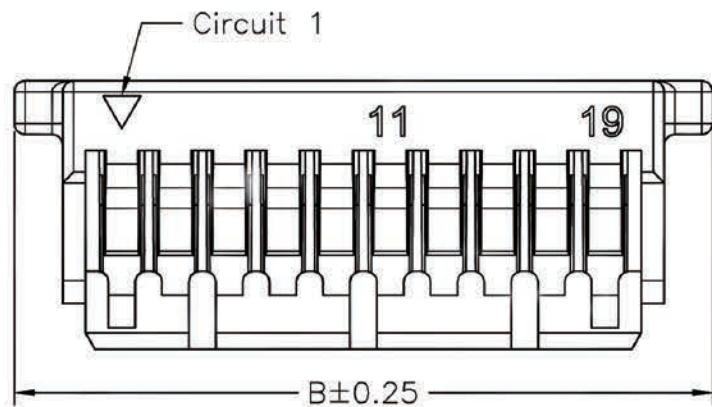
SPECIFICATIONS

- 1、 Current Rating: 1A AC, DC
- 2、 Voltage Rating: 50V AC, DC
- 3、 Temperatuer Range: -25°C~+85°C
- 4、 Contact Resistance: 20mΩ Max
- 5、 Insulation Resistance: 100MΩ Min
- 6、 Withstanding Voltang: 500V AC/minute
- 7、 Material:Nylon66, UL94V-0

编 号	尺寸 (mm)	
	A	B
A1002HA-2P	1.00	5.00
A1002HA-3P	2.00	6.00
A1002HA-4P	3.00	7.00
A1002HA-5P	4.00	8.00
A1002HA-6P	5.00	9.00
A1002HA-7P	6.00	10.00
A1002HA-8P	7.00	11.00
A1002HA-9P	8.00	12.00
A1002HA-10P	9.00	13.00
A1002HA-11P	10.00	14.00
A1002HA-12P	11.00	15.00
A1002HA-20P	19.00	23.00

制图 DRAWN	变更内容 DESCRIPTION	日期 DATE	GENERAL TOLERANCE		制图 Mapping	料号 PART NO.	A1002HA-XXP		版本 REV.	A
			X.±0.25	X.*±2'			品名 TITLE	页次 SHEET		
			.X±0.20	.X'±1'	审核 Audit		1.0带钩孔座		1/1	
			.XX±0.15	.XX'±0.5'	核准 Approved					
			.XXX±0.10	.XXX'±0.5'	单位 Units	MM	比例 SCALE	1:1		

深圳市德益连接器有限公司
SHENZHEN DEYI CONNECTORS CO., LTD.

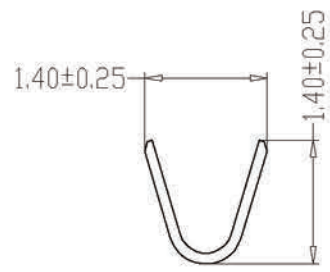
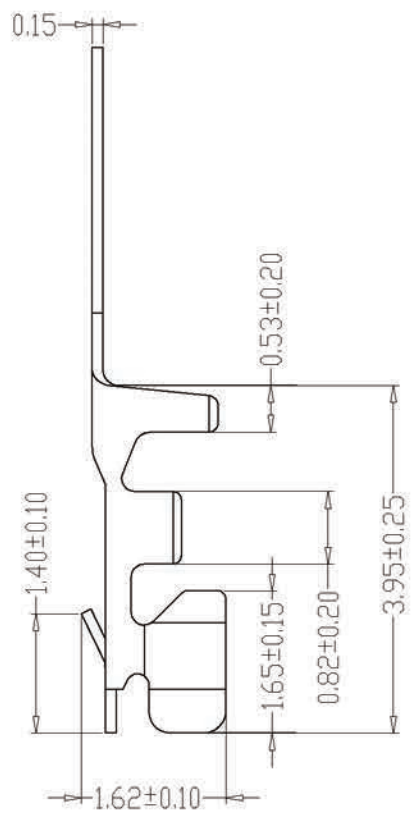
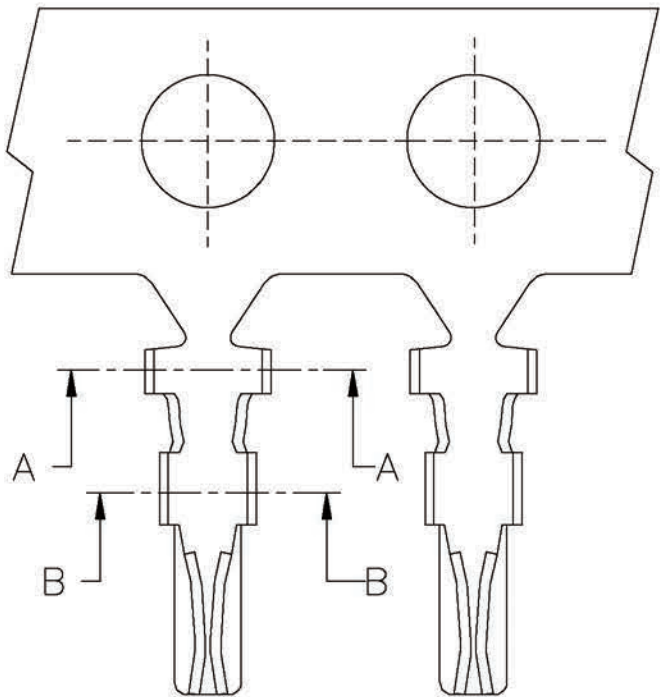


SPECIFICATIONS

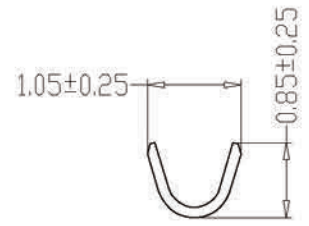
- 1、Current Rating: 1A AC, DC
- 2、Voltage Rating: 50V AC, DC
- 3、Temperatuer Range: $-25^{\circ}\text{C} \sim +85^{\circ}\text{C}$
- 4、Contact Resistance: $20\text{m}\Omega$ Max
- 5、Insulation Resistance: $100\text{M}\Omega$ Min
- 6、Withstanding Voltang: 500V AC/minute
- 7、Material: PBT, UL94V-0

编 号	尺寸 (mm)	
	A	B
A1002H-2X06P	5.00	9.00
A1002H-2X08P	7.00	11.00
A1002H-2X10P	9.00	13.00
A1002H-2X15P	14.00	18.00
A1002H-2X20P	19.00	23.00
A1002H-2X25P	24.00	28.00

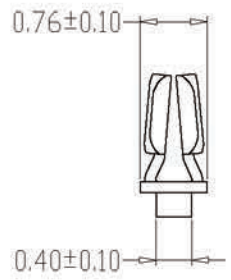
制图 DRAWN	变更内容 DESCRIPTION	日期 DATE	GENERAL TOLERANCE		制图 Mapping	料号 PART NO.	A1002H-2XXXP	版本 REV.	A										
			$X \pm 0.25$	$X' \pm 2'$						审核 Audit	品名 TITLE	页次 SHEET	1/1						
			$.X \pm 0.20$	$.X' \pm 1'$										核准 Approved	客户料号 CUTM. NO.				
			$.XX \pm 0.15$	$.XX' \pm 0.5'$												单位 Units	MM	比例 SCALE	1:1
			$.XXX \pm 0.10$	$.XXX' \pm 0.5'$															



SEC:A-A



SEC:B-B

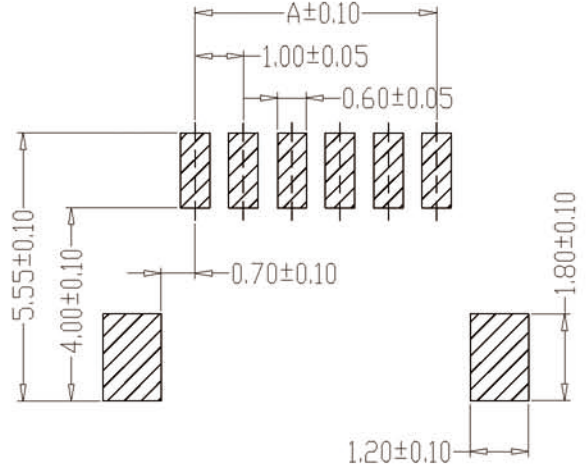
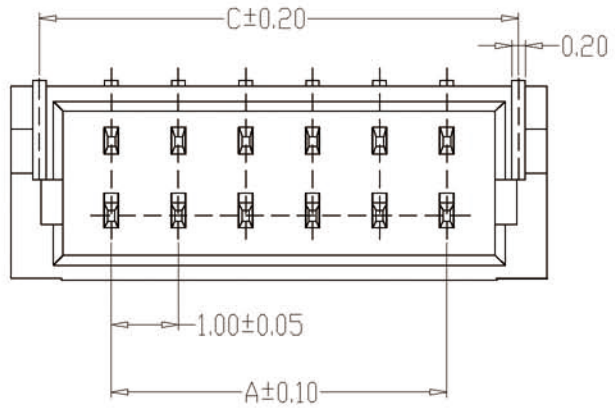
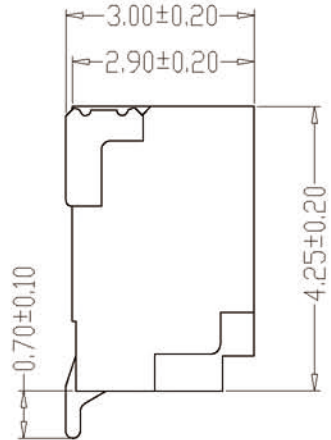
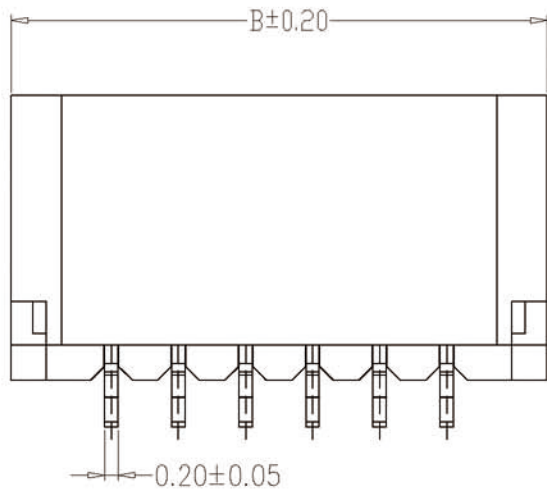


SPECIFICATIONS

- 1、 Current Rating: 1A AC, DC
- 2、 Voltage Rating: 50V AC, DC
- 3、 Temperatuer Range: -25°C ~ +85°C
- 4、 Contact Resistance: 20mΩ Max
- 5、 Insulation Resistance: 100MΩ Min
- 6、 Withstanding Voltang: 500V AC/minute
- 7、 Material: Phosphoric bronze Tin-plated
- 8、 Applicable Wire Sizes: AWG#28~32#

制图 DRAWN	变更内容 DESCRIPTION	日期 DATE	GENERAL TOLERANCE		制图 Mapping	料号 PART NO.	A1002-TP	版本 REV.	A
			X.±0.25	X.*2°					
			.X±0.20	.X*±1°	审核 Audit	品名 TITLE		页次 SHEET	1/1
			.XX±0.15	.XX*±0.5°	核准 Approved	客户料号 CUTM. NO.			
			.XXX±0.10	.XXX*±0.5°	单位 Units	MM	比例 SCALE		

深圳市德益连接器有限公司
SHENZHEN DEYI CONNECTORS CO., LTD



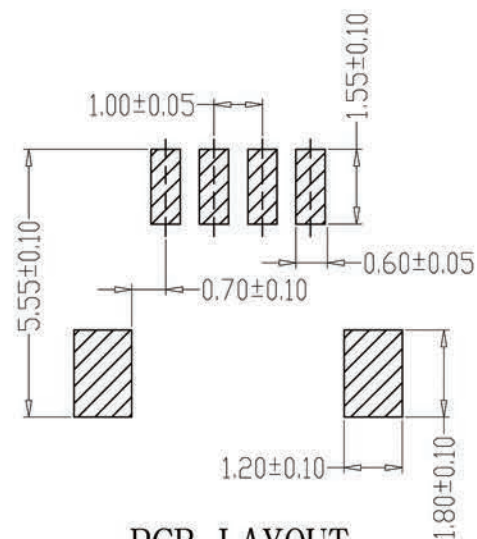
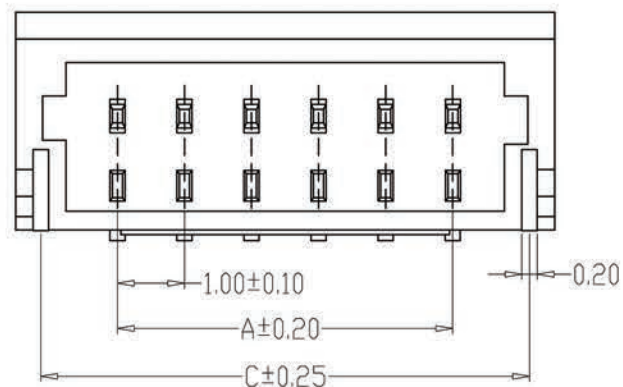
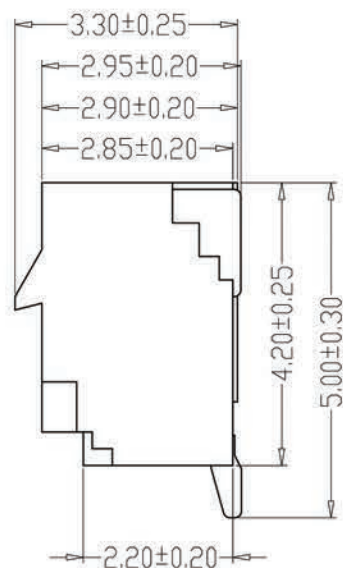
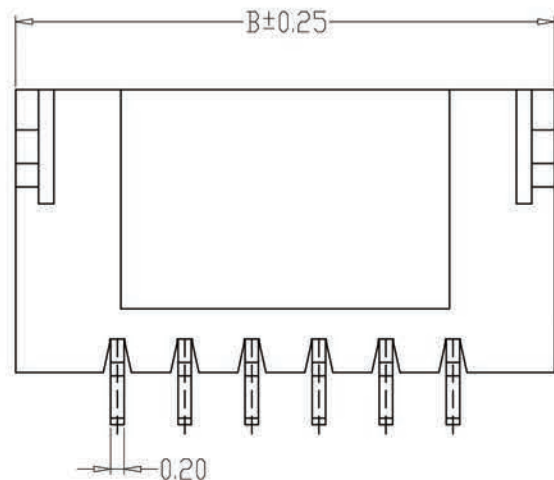
SPECIFICATIONS

- 1、Current Rating: 1A AC, DC
- 2、Voltage Rating: 50V AC, DC
- 3、Temperatuer Range: -25°C~+85°C
- 4、Contact Resistance: 20mΩ Max
- 5、Insulation Resistance: 100MΩ Min
- 6、Withstanding Voltang: 500V AC/minute
- 7、Material: Wafer Nylon 6T, UL94V-0
PIN Phosphoric bronze Tin-plated
Solder tad Phosphoric bronze Tin-plated

编 号	尺寸 (mm)		
	A	B	C
A1002WR-S-2P	1.00	4.00	3.20
A1002WR-S-3P	2.00	5.00	4.20
A1002WR-S-4P	3.00	6.00	5.20
A1002WR-S-5P	4.00	7.00	6.20
A1002WR-S-6P	5.00	8.00	7.20
A1002WR-S-7P	6.00	9.00	8.20
A1002WR-S-8P	7.00	10.00	9.20
A1002WR-S-9P	8.00	11.00	10.20
A1002WR-S-10P	9.00	12.00	11.20
A1002WR-S-11P	10.00	13.00	12.20
A1002WR-S-12P	11.00	14.00	13.20
A1002WR-S-20P	19.00	22.00	21.20

PCB LAYOUT

制图 DRAWN	变更内容 DESCRIPTION	日期 DATE	GENERAL TOLERANCE		制图 Mapping	料号 PART NO.	A1002WR-S-XXP		版本 REV.	A				
			X.±0.25	X.*±2'			品名 TITLE	1.0贴片 WAFER SMT TYPE			页次 SHEET	1/1		
			.X±0.20	.X*±1'									客户料号 CUTM. NO.	
			.XX±0.15	.XX*±0.5'										
.XXX±0.10	.XXX*±0.5'	单位 Units	MM	比例 SCALE	1:1									



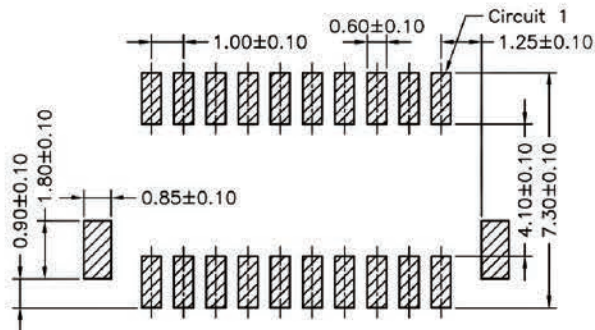
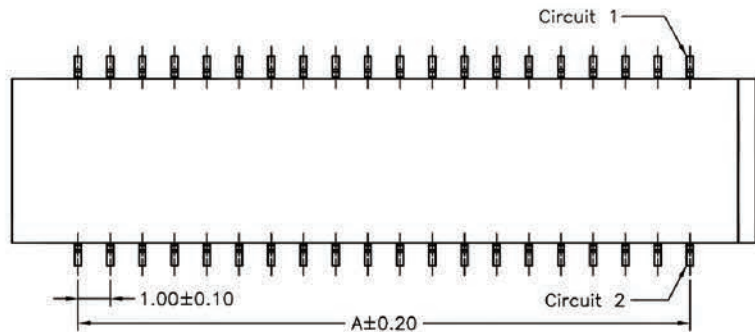
PCB LAYOUT

SPECIFICATIONS

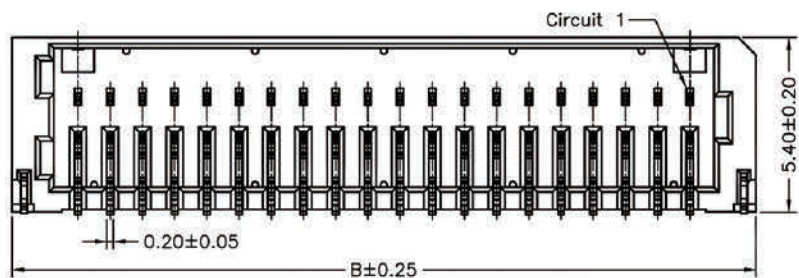
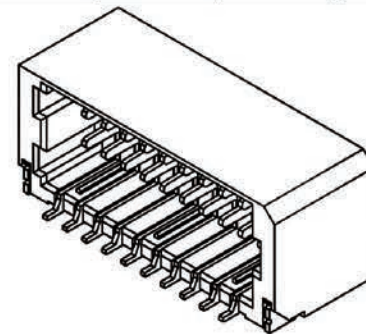
- 1、Current Rating: 1A AC, DC
- 2、Voltage Rating: 50V AC, DC
- 3、Temperatuer Range: -25°C~+85°C
- 4、Contact Resistance: 20mΩ Max
- 5、Insulation Resistance: 100MΩ Min
- 6、Withstanding Voltang: 500V AC/minute
- 7、Material: Wafer LCP, UL94V-0
PIN Phosphoric copper Tin-plated
Solder tads Phosphoric copper Tin-plated

编号	尺寸 (mm)		
	A	B	C
A1002AWR-02P	1.00	4.00	3.20
A1002AWR-03P	2.00	5.00	4.20
A1002AWR-04P	3.00	6.00	5.20
A1002AWR-05P	4.00	7.00	6.20
A1002AWR-06P	5.00	8.00	7.20
A1002AWR-07P	6.00	9.00	8.20
A1002AWR-08P	7.00	10.00	9.20
A1002AWR-09P	8.00	11.00	10.20
A1002AWR-10P	9.00	12.00	11.20
A1002AWR-11P	10.00	13.00	12.20
A1002AWR-12P	11.00	14.00	13.20
A1002AWR-20P	19.00	22.00	21.20

制图 DRAWN	变更内容 DESCRIPTION	日期 DATE	GENERAL TOLERANCE		制图 Mapping	料号 PART NO.	版本 REV.	A
			X.±0.25	X.'±2'				
.X±0.20	.X'±1'	核准 Approved	客户料号 CUTM. NO.					
				.XX±0.15	.XX'±0.5'		深圳市德益连接器有限公司 SHENZHEN DEYI CONNECTORS CO., LTD.	
			.XXX±0.10	.XXX'±0.5'	单位 Units	MM		



PCB LAYOUT



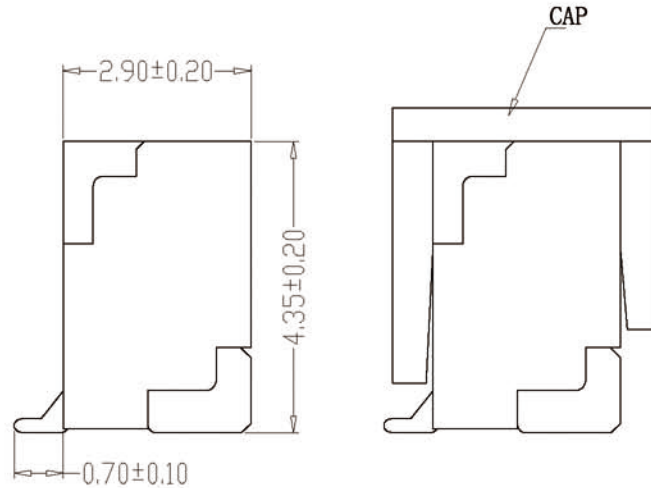
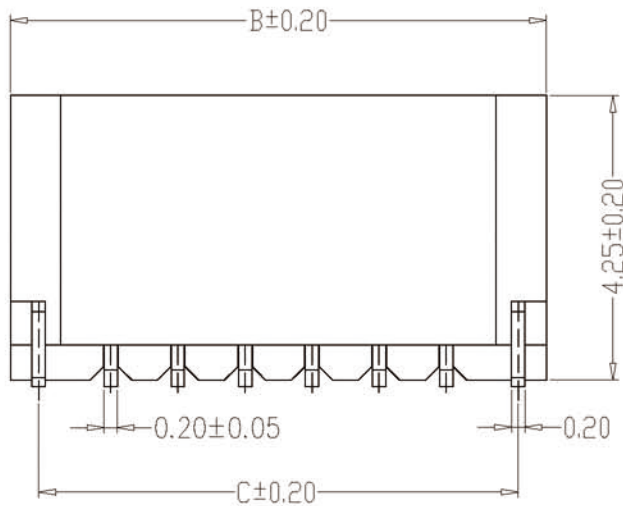
SPECIFICATIONS

- 1、Current Rating: 1A AC, DC
- 2、Voltage Rating: 50V AC, DC
- 3、Temperatuer Range: -25°C~+85°C
- 4、Contact Resistance: 20mΩ Max
- 5、Insulation Resistance: 100MΩ Min
- 6、Withstanding Voltang: 500V AC/minute
- 7、Material: Nylon 6T, UL94V-0

编号	尺寸 (mm)	
	A	B
A1002WR-S-2X06P	5.00	9.10
A1002WR-S-2X08P	7.00	11.10
A1002WR-S-2X10P	9.00	13.10
A1002WR-S-2X15P	14.00	18.10
A1002WR-S-2X20P	19.00	23.10
A1002WR-S-2X25P	24.00	28.10

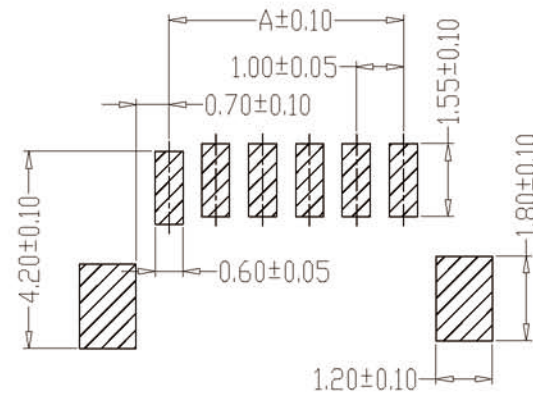
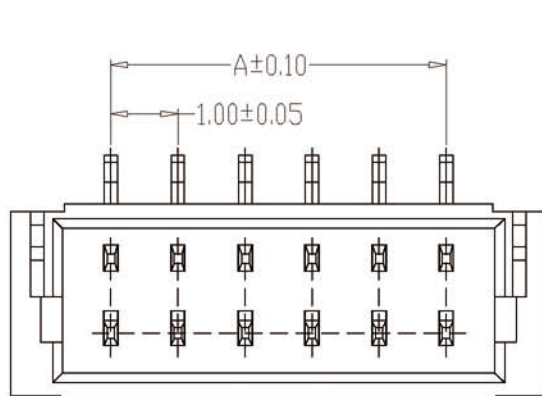
制图 DRAWN	变更内容 DESCRIPTION	日期 DATE	GENERAL TOLERANCE		制图 Mapping	料号 PART NO.	A1002WR-S-2*NNP		版本 REV.	A		
			X.±0.25	X.*2*			品名 TITLE	页次 SHEET				
			.X±0.20	.X*±1*							客户料号 CUTM. NO.	1/1
			.XX±0.15	.XX*±0.5*								
.XXX±0.10	.XXX*±0.5*	单位 Units	MM	1:1								

深圳市德益连接器有限公司
SHENZHEN DEYI CONNECTORS CO., LTD.



SPECIFICATIONS

- 1、Current Rating: 1A AC, DC
- 2、Voltage Rating: 50V AC, DC
- 3、Temperatuer Range: -25°C~+85°C
- 4、Contact Resistance: 20mΩ Max
- 5、Insulation Resistance: 100MΩ Min
- 6、Withstanding Voltang: 500V AC/minute
- 7、Material: Wafer Nylon 6T, UL94V-0
PIN Phosphoric bronze Tin-plated
Solder tad Phosphoric bronze Tin-plated

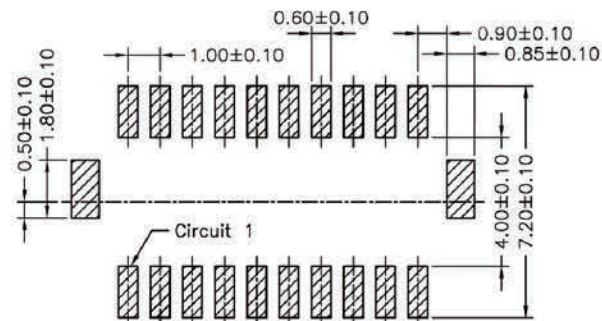
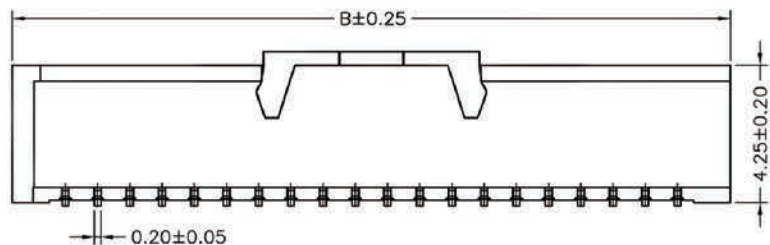
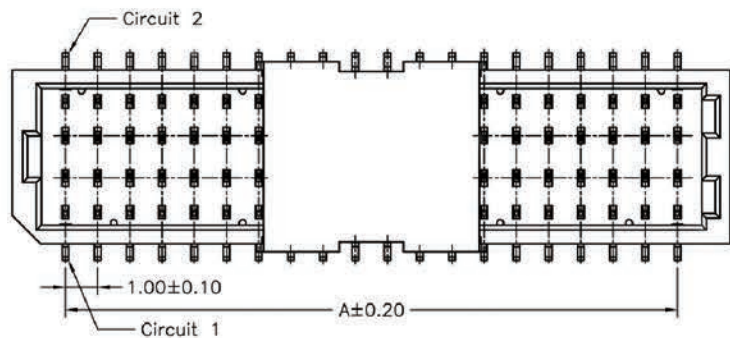
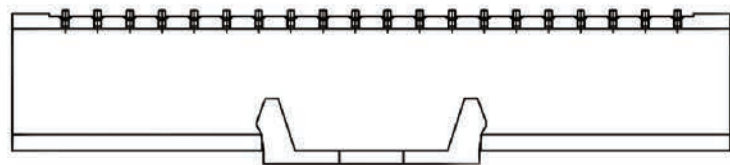


PCB LAYOUT

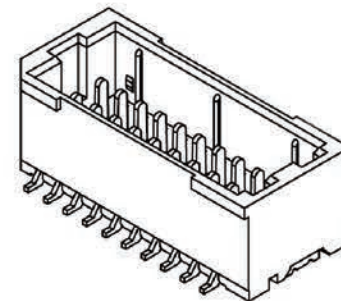
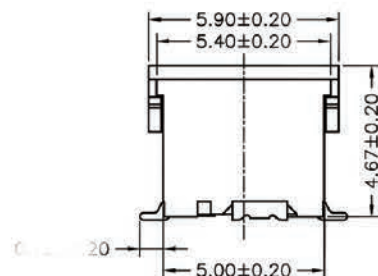
编 号	尺寸 (mm)		
	A	B	C
A1002WV-S-2P	1.00	4.00	3.20
A1002WV-S-3P	2.00	5.00	4.20
A1002WV-S-4P	3.00	6.00	5.20
A1002WV-S-5P	4.00	7.00	6.20
A1002WV-S-6P	5.00	8.00	7.20
A1002WV-S-7P	6.00	9.00	8.20
A1002WV-S-8P	7.00	10.00	9.20
A1002WV-S-9P	8.00	11.00	10.20
A1002WV-S-10P	9.00	12.00	11.20
A1002WV-S-11P	10.00	13.00	12.20
A1002WV-S-12P	11.00	14.00	13.20
A1002WV-S-20P	19.00	22.00	21.20

制图 DRAWN	变更内容 DESCRIPTION	日期 DATE	GENERAL TOLERANCE		制图 Mapping	料号 PART NO.	A1002WV-S-XXP	版本 REV.	A
			.X±0.25	.X'±2'					
			.X±0.20	.X'±1'	审核 Audit	品名 TITLE	1.0立贴 WAFER SMT TYPE	页次 SHEET	1/1
			.XX±0.15	.XX'±0.5'	核准 Approved	客户料号 CUTM. NO.			
			.XXX±0.10	.XXX'±0.5'	单位 Units	比例 SCALE	1:1		

深圳市德益连接器有限公司
SHENZHEN DEYI CONNECTORS CO., LTD.



PCB LAYOUT



SPECIFICATIONS

- 1、Current Rating: 1A AC, DC
- 2、Voltage Rating: 50V AC, DC
- 3、Temperatuer Range: -25℃~+85℃
- 4、Contact Resistance: 20mΩ Max
- 5、Insulation Resistance: 100MΩ Min
- 6、Withstanding Voltang: 500V AC/minute
- 7、Material:PBT,UL94V-0

编号	尺寸 (mm)	
	A	B
A1002WV-S-2X06P	5.00	8.30
A1002WV-S-2X08P	7.00	10.30
A1002WV-S-2X10P	9.00	12.30
A1002WV-S-2X15P	14.00	17.30
A1002WV-S-2X20P	19.00	22.30
A1002WV-S-2X25P	24.00	27.30

制图 DRAWN	变更内容 DESCRIPTION	日期 DATE	GENERAL TOLERANCE		制图 Mapping	料号 PART NO.	A1002WV-S-2*XXP	版本 REV.	A							
			X.±0.25	X.'±2'						审核 Audit	品名 TITLE	页次 SHEET	1/1			
			.X±0.20	.X'±1'										核准 Approved	客户料号 CUTM. NO.	
			.XX±0.15	.XX'±0.5'												
.XXX±0.10	.XXX'±0.5'															
深圳市德益连接器有限公司 SHENZHEN DEYI CONNECTORS CO., LTD.																